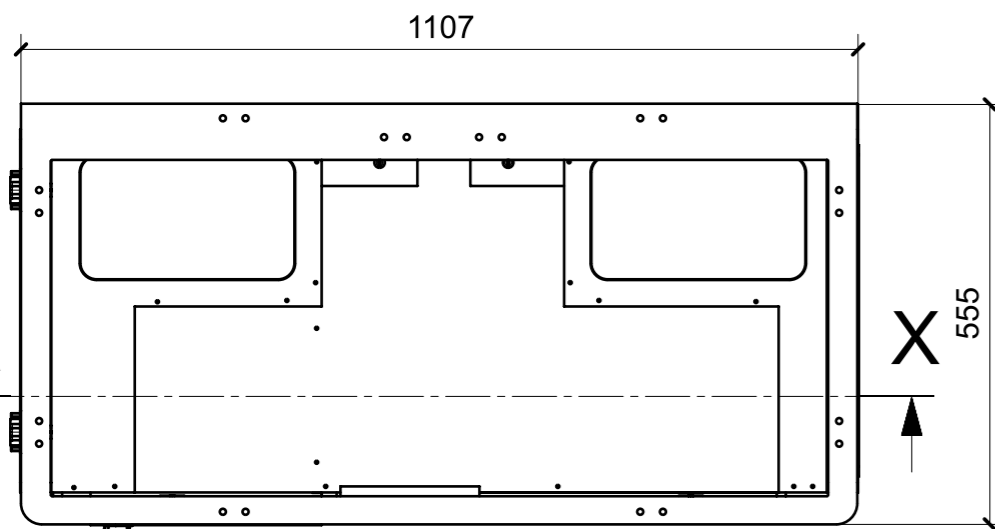
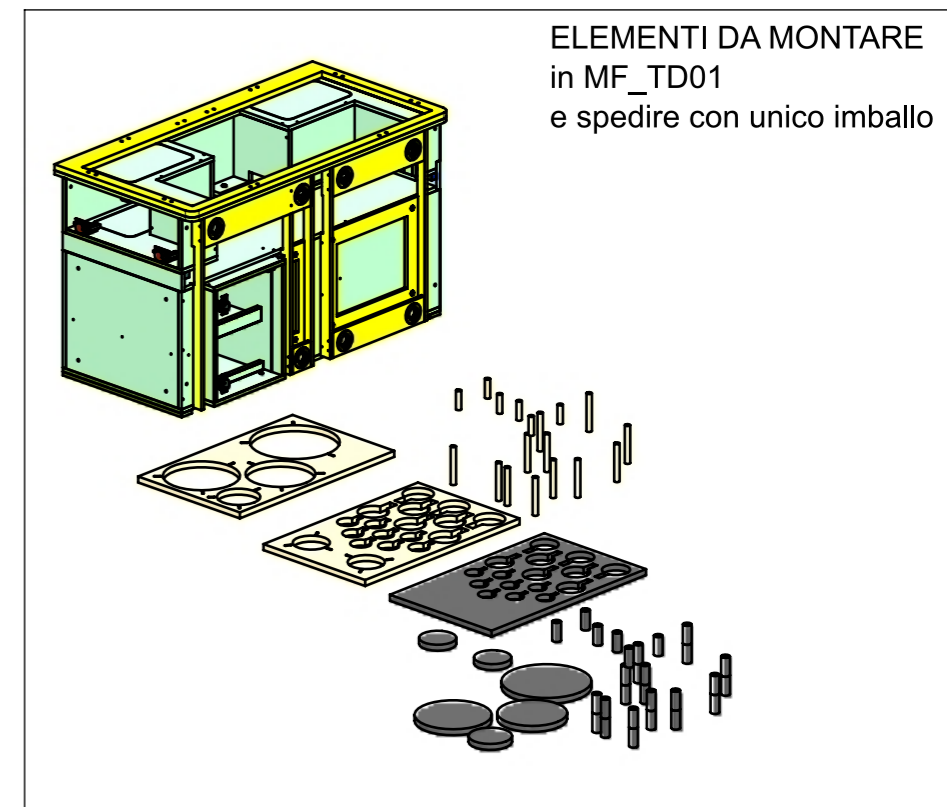
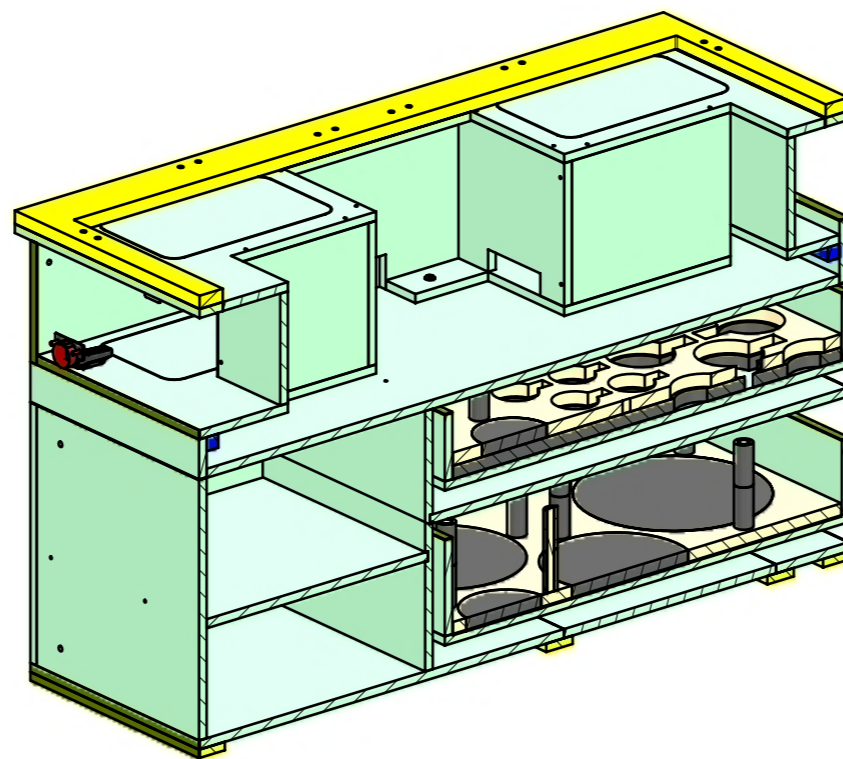
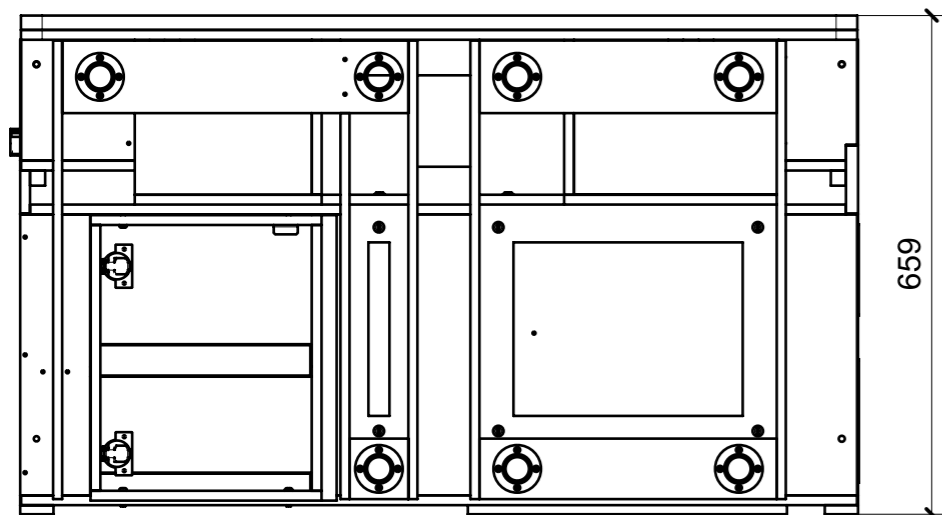
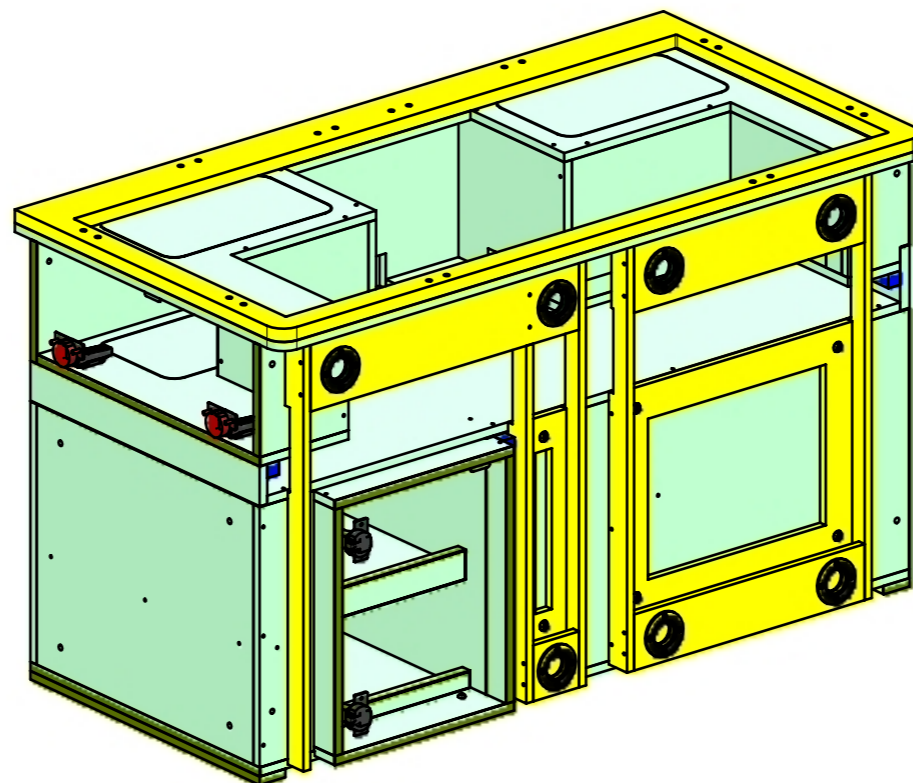


LOCALE	CODICE	DESCRIZIONE COMPONENTE	FINITURA	GR.
TIMONERIA	MD321_MF_TD01	MOBILE SOTTO SEDILE GUIDA		2



SECTION X-X



MF_TD01

FERRAMENTA	QTY
BASE_0-NERA_HAFELE_342.22.065-BLUM_175H3100.STP	2
BASE_3-NERA_HAFELE_342.22.067-BLUM_175H3130.STP	2
BUSSOLA 5MA ANKOR BORGHI	4
BUSSOLA 5MA ANKOR BORGHI X BASE 0	4
BUSSOLA 6MA X 10 FORO DIAM.8	16
CERNIERA 94°_MEZZO	2
COLLO-NERA_HAFELE_342.46.605-BLUM_71B9650	2
CERNIERA 95°_COLLO	2
PIENO-NERA_HAFELE_342.46.606-BLUM_71B9750.STP	2
FITLOCK F_MASCHERPA_6020101102	7
FITLOCK KU	4
GUIDA DYNAPRO ADJUSTMENT ADAPTER L_FBC_F134141746 4D	2
GUIDA DYNAPRO ADJUSTMENT ADAPTER R_FBC_F134141746 4D	2
GUIDA DYNAPRO FRONT LOCKING DEVICE L_FBC_F134108955 4D	2
GUIDA DYNAPRO FRONT LOCKING DEVICE R_FBC_F134108955 4D	2
GUIDA DYNAPRO SOFTCLOSE 50 KG L700 L_FBC_F130107856 4D	2
GUIDA DYNAPRO SOFTCLOSE 50 KG L700 R_FBC_F130107856 4D	2
KEEPER PUSH TO CLOSE_SOUTCHO-J-M1-519-4_TECHNOPARTNER	4
VITE 4MAX8 ANKOR BORGHI	4
VITE 4MAX8 ANKOR BORGHI X BASE 0	4
VITE 6MA X 20 TESTA BOMBATA	12
VITE 6MA X 20 TESTA BOMBATA NERA BHCS 00317092	4