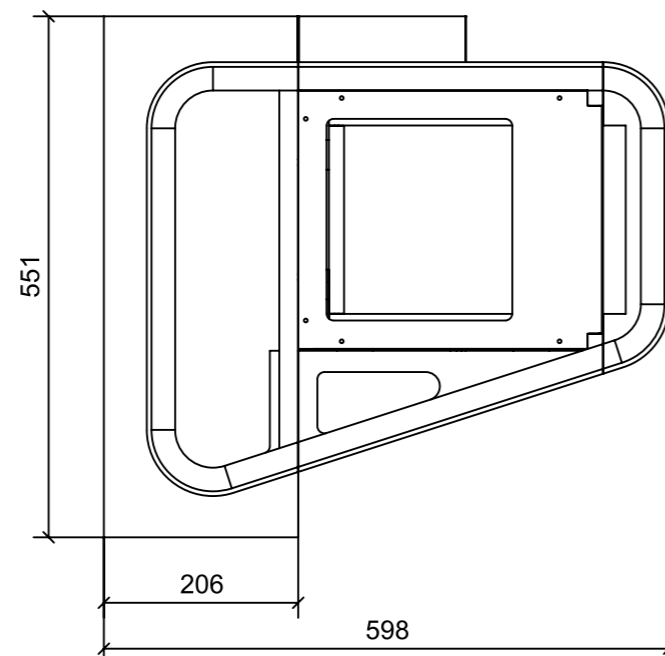
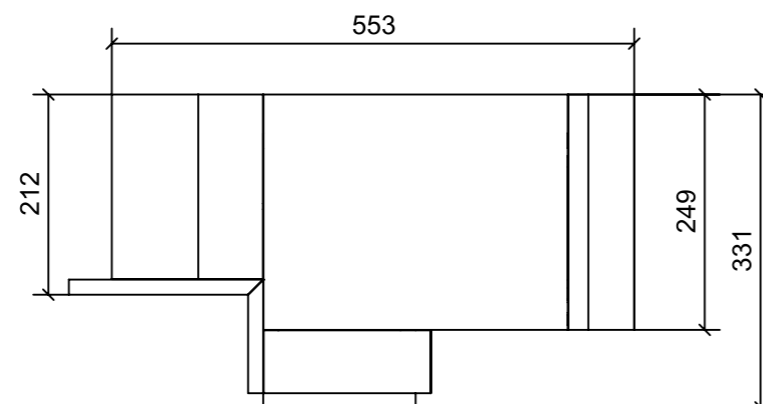
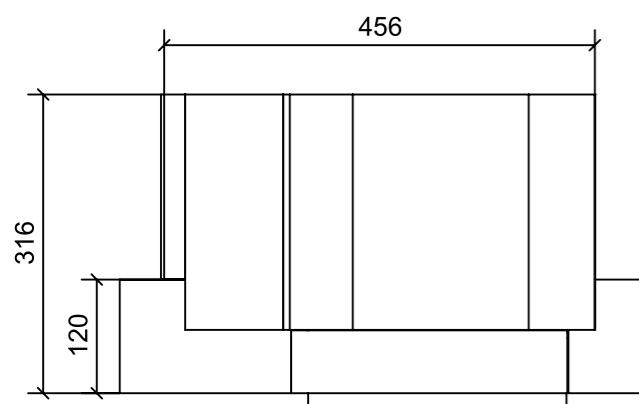
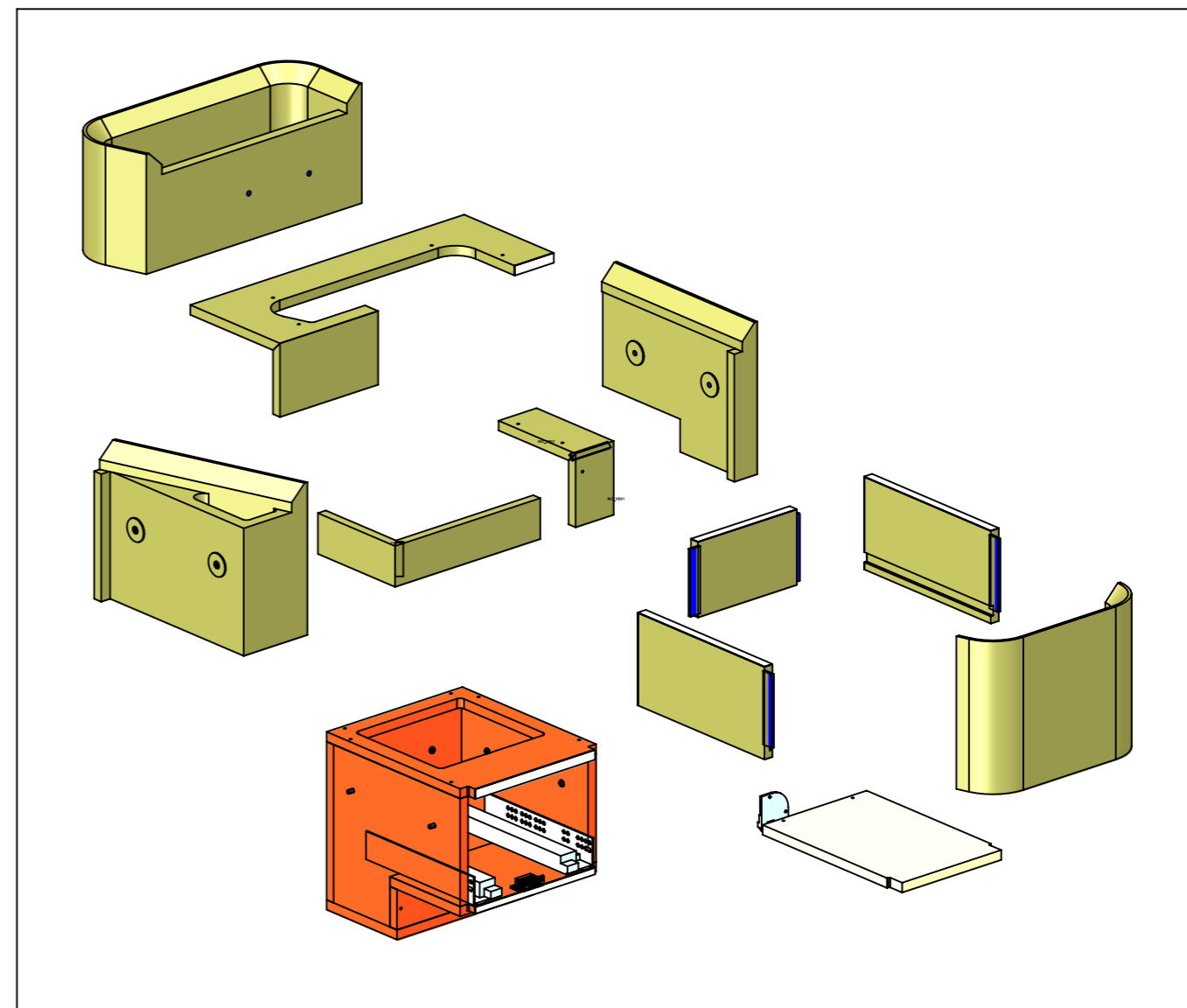
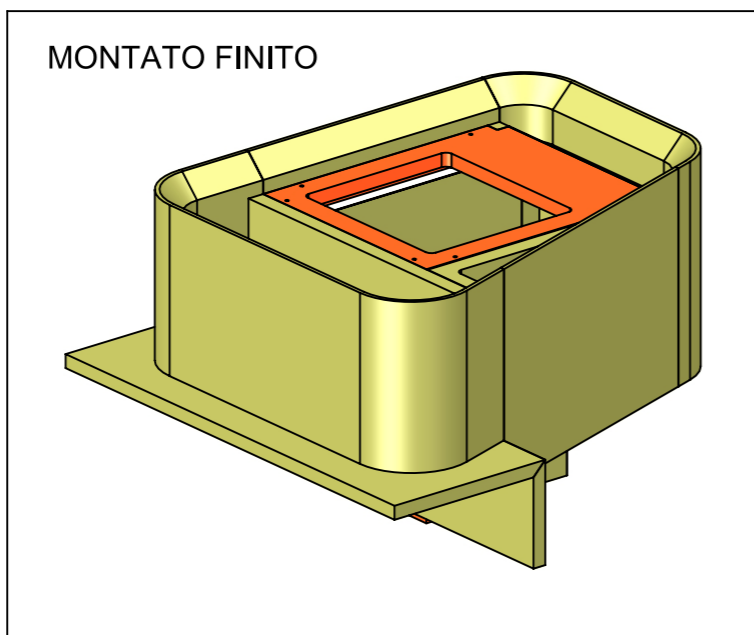
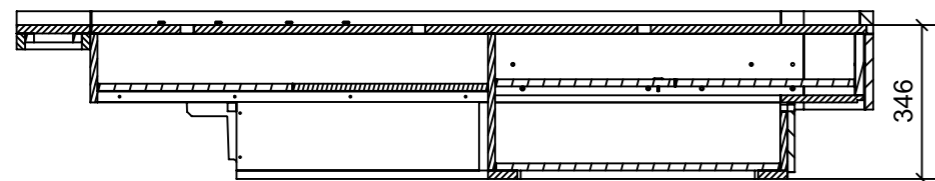


LOCALE	CODICE	DESCRIZIONE COMPONENTE	FINITURA	GR.
CABINA VIP	MD320_MF_VB01	COMODINO PRUA		4

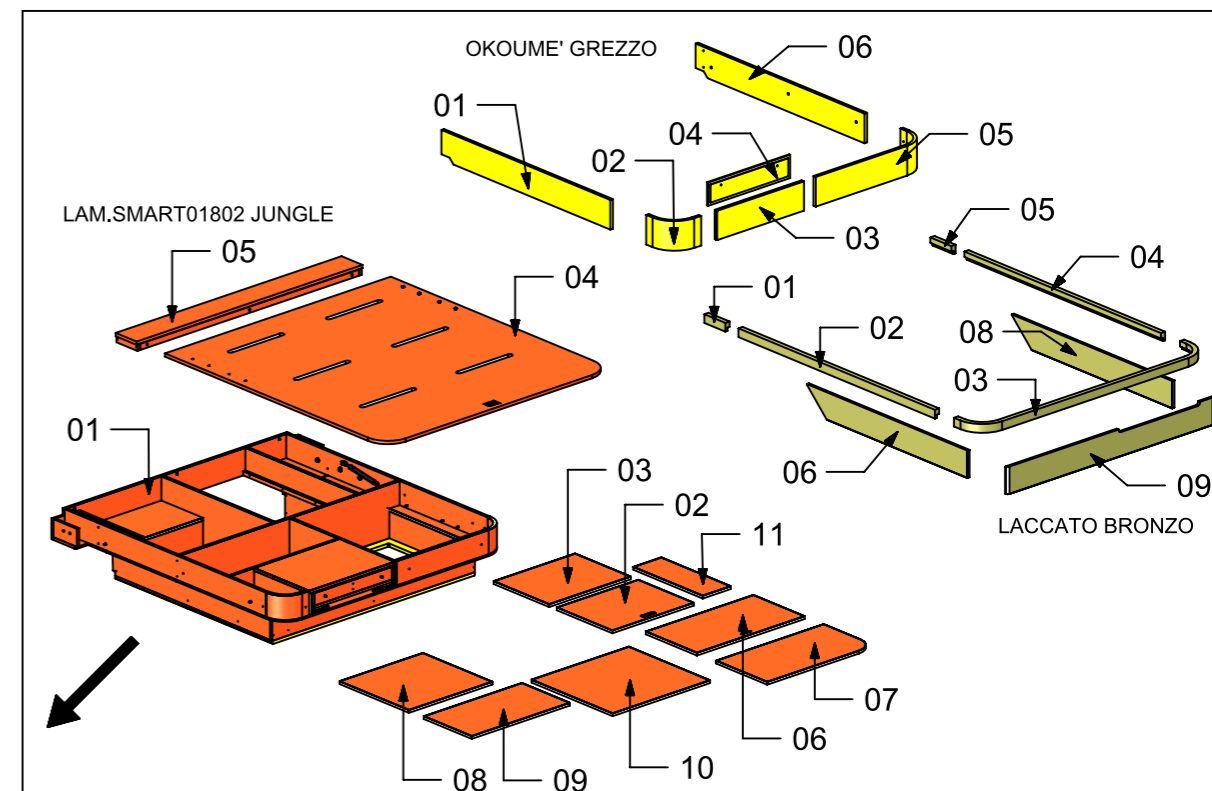
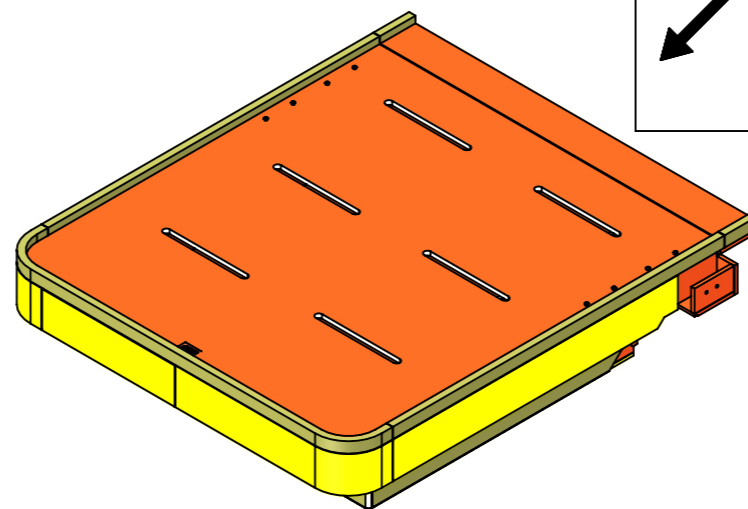
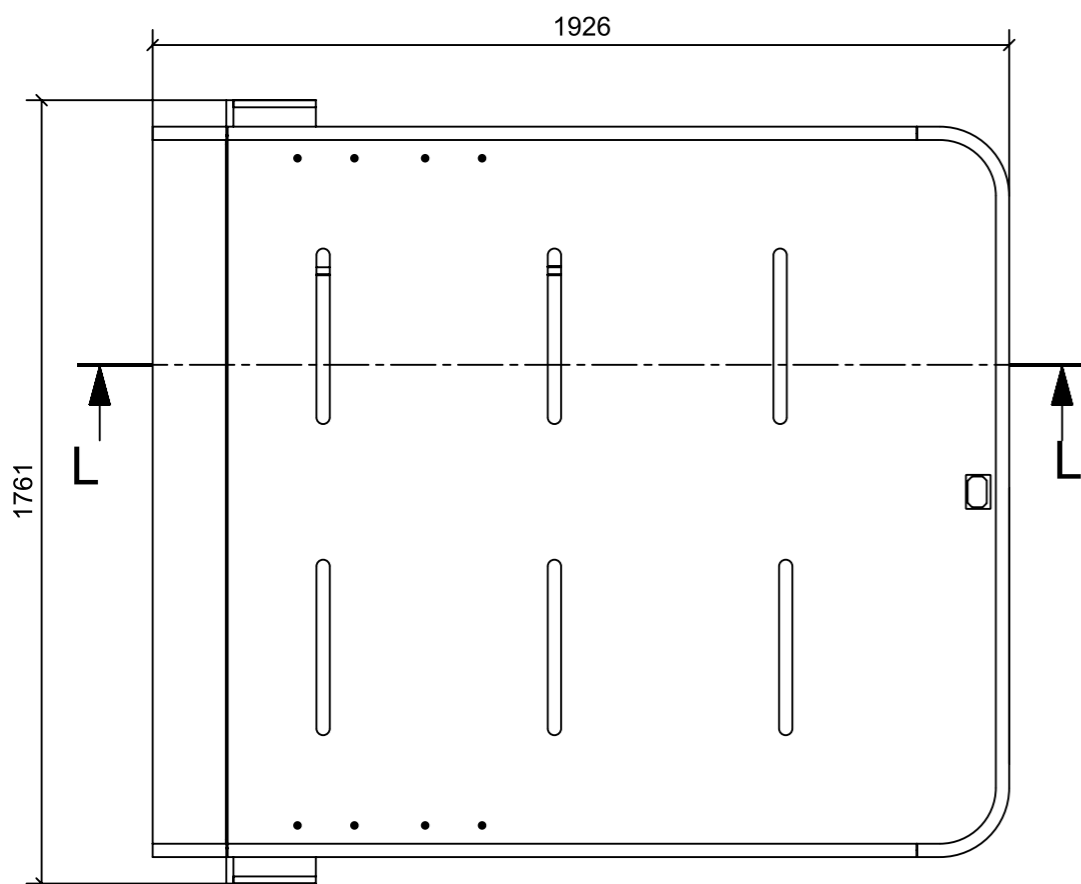


FERRAMENTA	QTY
PLACCHETTA COUNTER STEEL_TECHNOPARTNER_MC-JM49	1
GUIDA DYNAPRO SOFTCLOSE L300 L_FBC_F130107796 4D	1
CALAMITA SEALED MAGNETIC_TECNOPARTNER_MC-JM50-BL	1
GUIDA DYNAPRO SOFTCLOSE L300 R_FBC_F130107796 4D	1
VITE 6MA X 25 TESTA BOMBATA NERA BHCS 10.9 ISO 7380	8
BUSSOLA 6MA X 10 FORO DIAM.8	4
GUIDA DYNAPRO FRONT LOCKING DEVICE R_FBC_F134108955 4D	1
GUIDA DYNAPRO ADJUSTAMENT ADAPTER L_FBC_F134141746 4D	1
GUIDA DYNAPRO ADJUSTAMENT ADAPTER R_FBC_F134141746 4D	1
GUIDA DYNAPRO FRONT LOCKING DEVICE L_FBC_F134108955 4D	1

LOCALE	CODICE	DESCRIZIONE COMPONENTE	FINITURA	GR.
CABINA VIP	MD320_MF_VC01	STRUTTURA LETTO		4

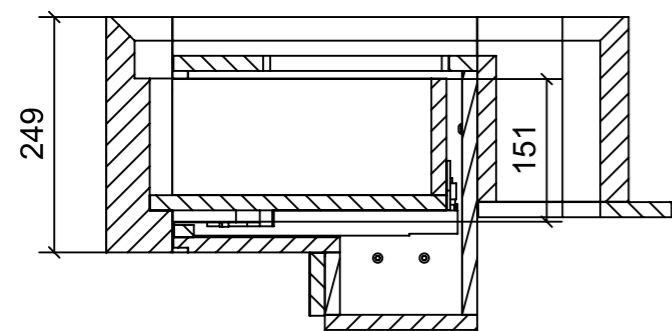


SECTION L-L

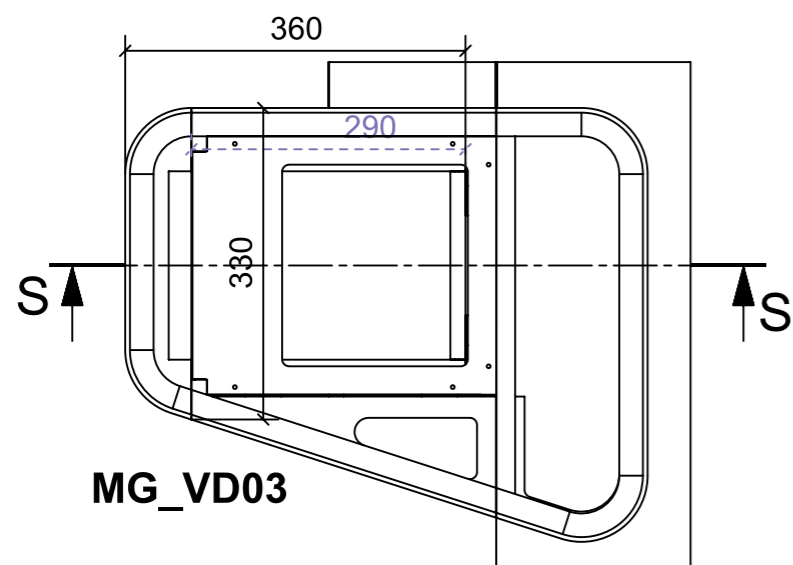


FERRAMENTA	QTY
TBL 6MAX15_FBC	8
BORCHIA PASSO 6MA_FBC	8
MANIGLIETTA ALZA LETTO_FORESTI_ART.76A.C	1
VITE 6MA X 25 TESTA BOMBATA NERA BHCS 10.9 ISO 7380	3
CP TRAPEZI NERI STABILUS TZ 530 BTZ T2.A0_FBC_99999049	1
GUIDA DYNAPRO FRONT LOCKING DEVICE L_FBC_F134108955 4D	1
PISTONE A GAS STABILUS_456306_600NW-L385_FBC	1
GUIDA DYNAPRO SOFTCLOSE L400 R_FBC_F130107808 4D	1
GUIDA DYNAPRO ADJUSTMENT ADAPTER R_FBC_F134141746 4D	1
GUIDA DYNAPRO SOFTCLOSE L400 L_FBC_F130107808 4D	1
GUIDA DYNAPRO FRONT LOCKING DEVICE R_FBC_F134108955 4D	1
GUIDA DYNAPRO ADJUSTMENT ADAPTER L_FBC_F134141746 4D	1
SEEGER PER MECC. LETTO_00407908	2
PISTONE A GAS STABILUS_456306_600NW-L385_FBC_99999049	1
TBL 8MA X 20_FBC	8
BUSSOLA 8MA X 14_FBC	8
RANELLA SP.2 MM DIAM.24 FORO 8_FBC	8
PLACCHETTA COUNTER STEEL_TECHNOPARTNER_MC-JM49	2
CALAMITA SEALED MAGNETIC_TECNOPARTNER_MC-JM50-BL	2
REGGIRIPIANO PERNO RAPIDO X CR. CO-RING_FBC BORGHI_00073653	12
BUSSOLA RAPIDA_FBC BORGHI_00280877	4
ALZAPAGLIOLI_FORESTI_164.B BRUNITON	2
BUSSOLA 6MA X 10 FORO DIAM.8	17

LOCALE	CODICE	DESCRIZIONE COMPONENTE	FINITURA	GR.
CABINA VIP	MD320_MF_VD01	COMODINO POPPA		4

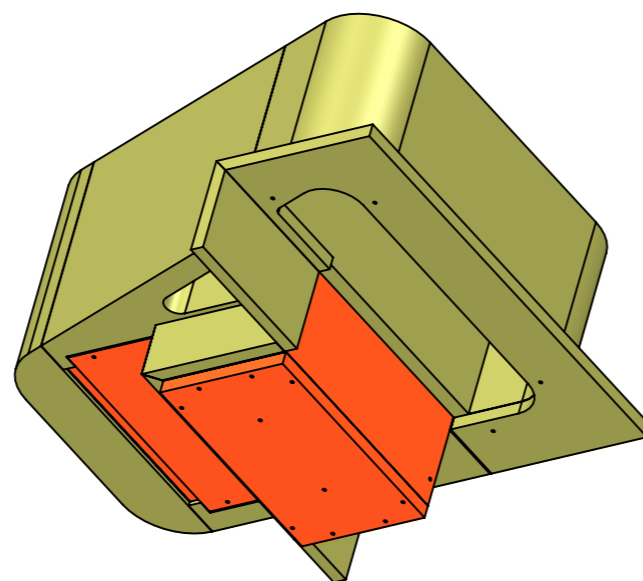
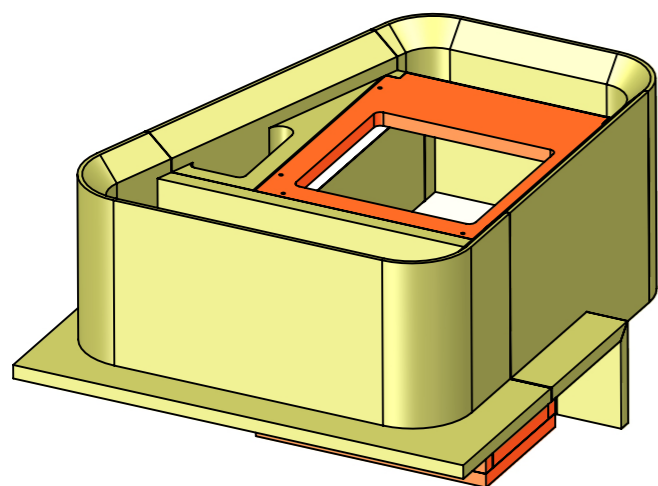
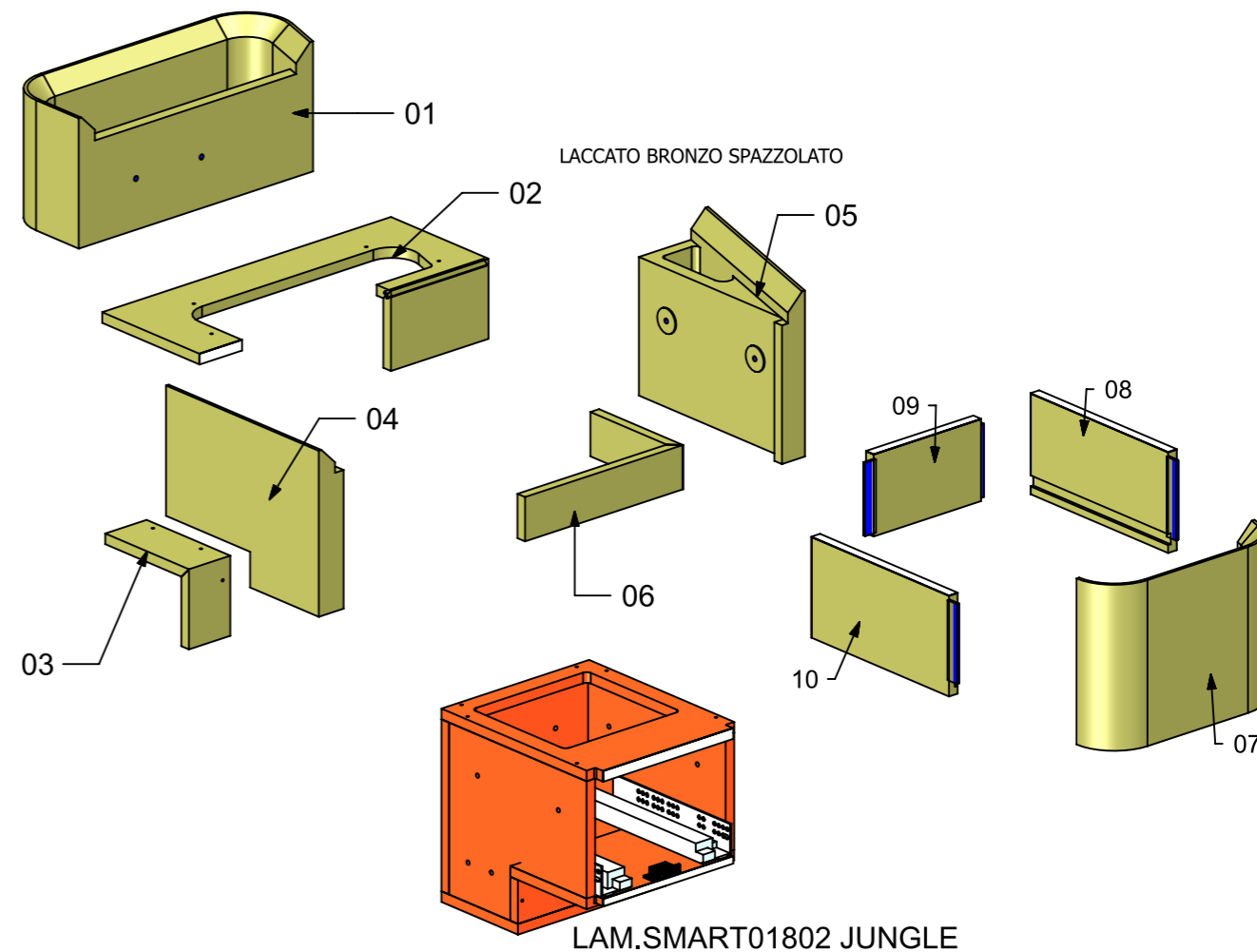
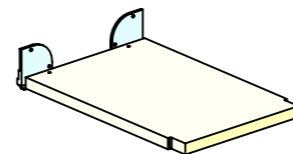


SECTION S-S



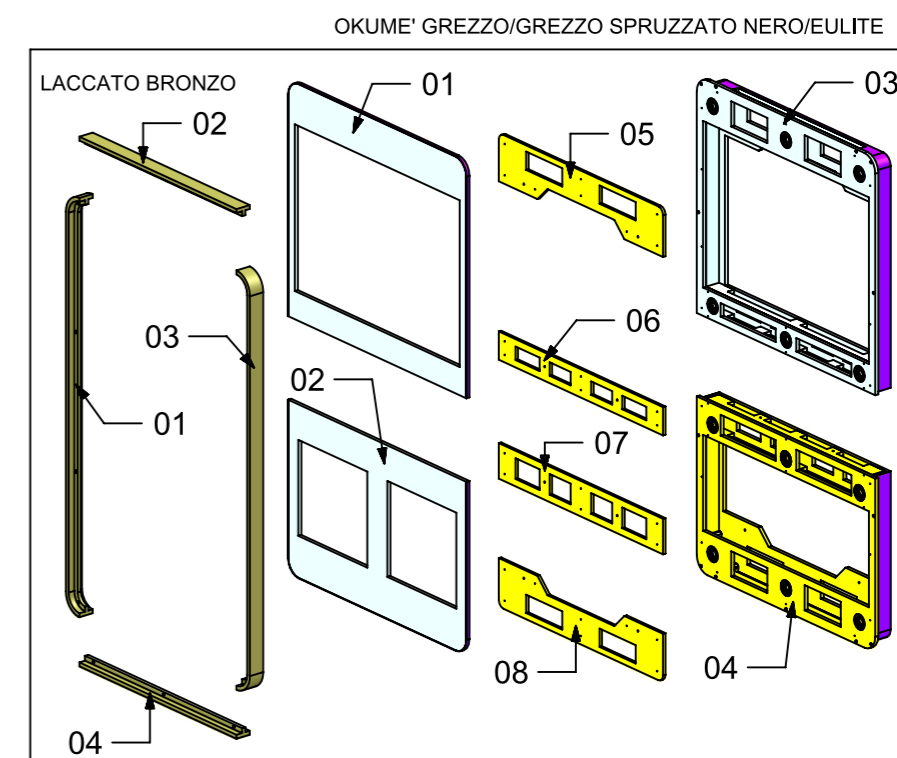
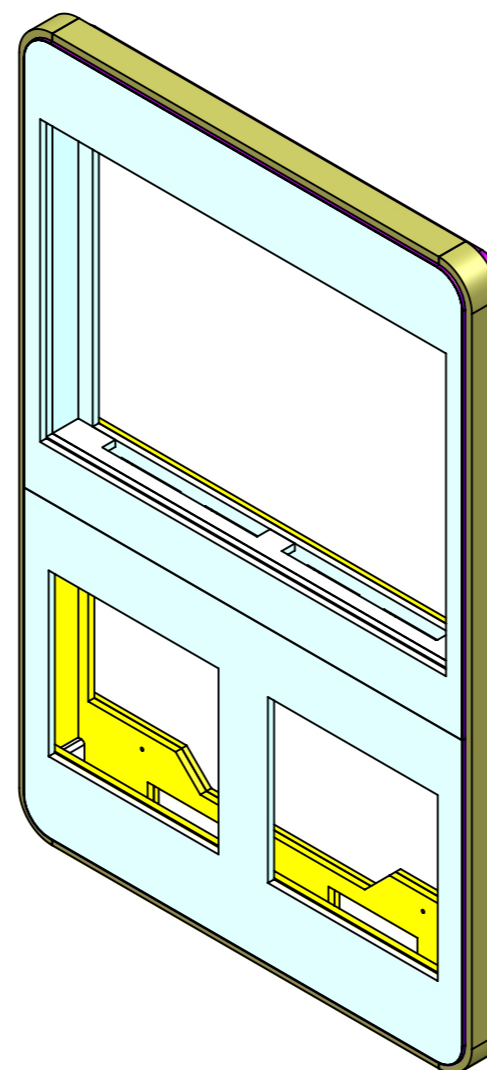
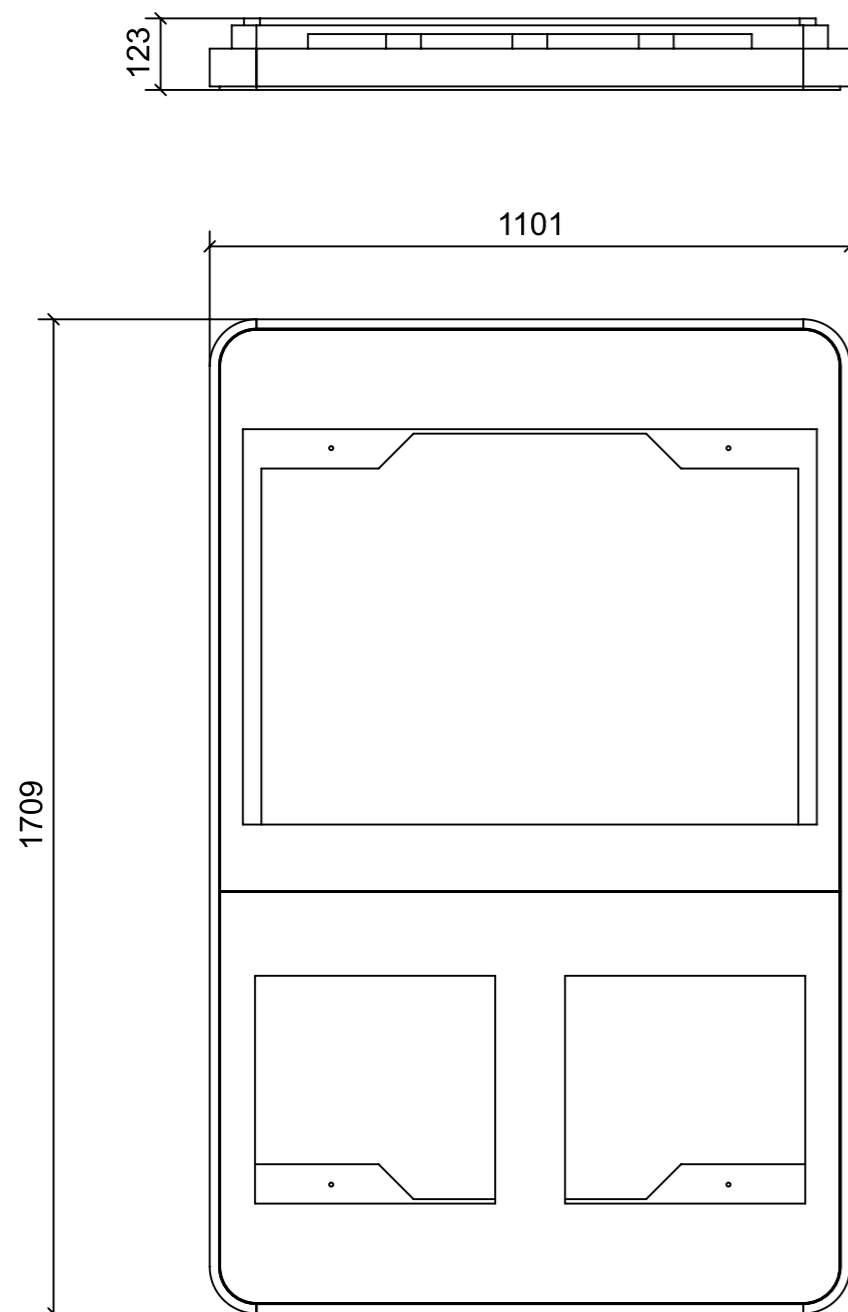
MG_VD03

LAMINATO SMART RE13
FIRMAMENTO REVERSO



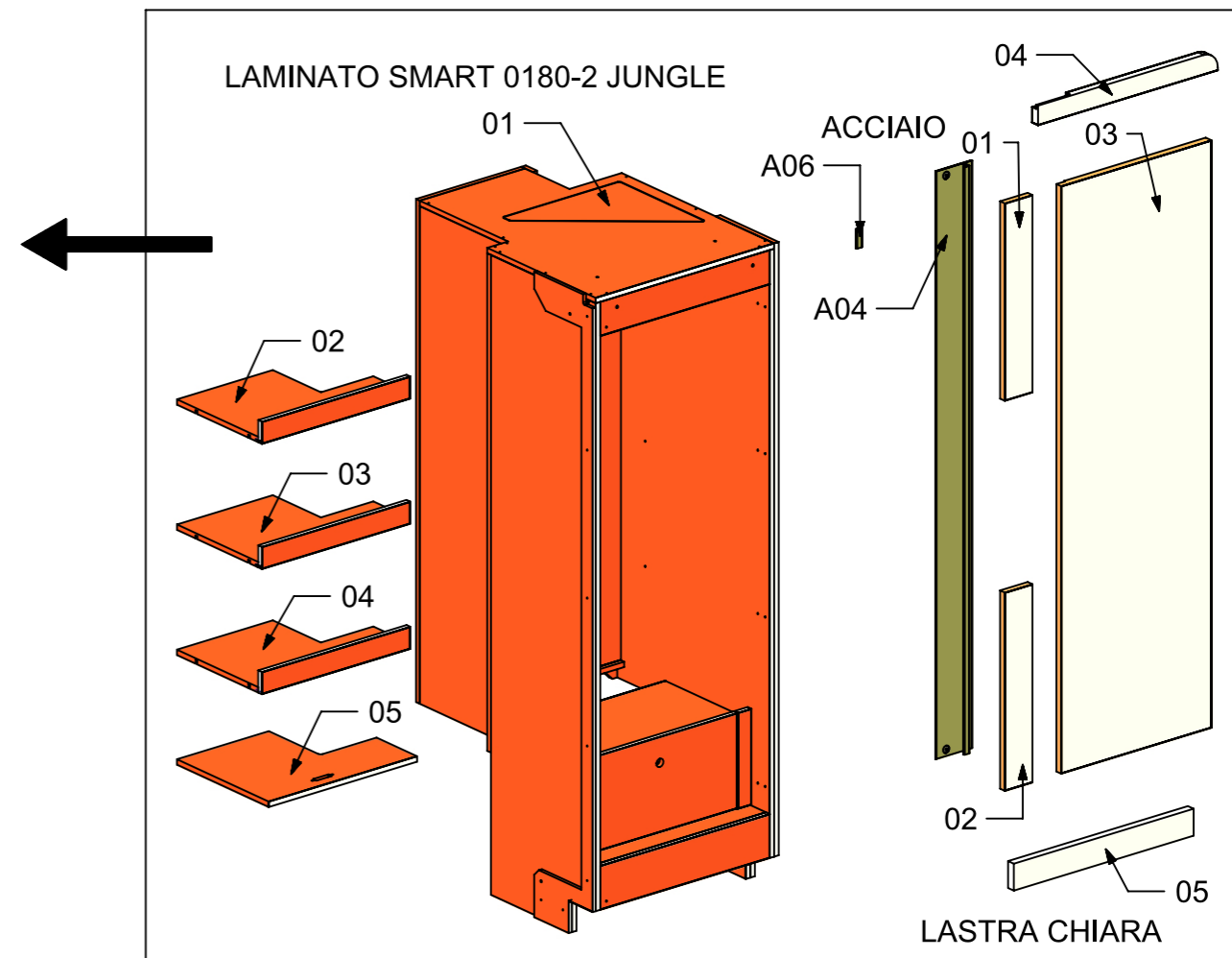
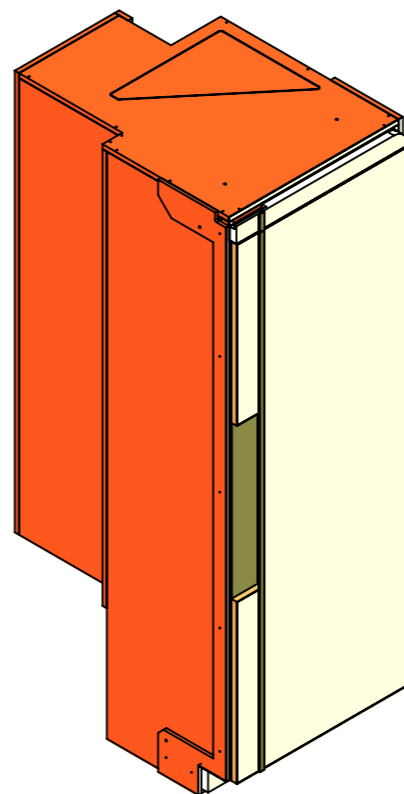
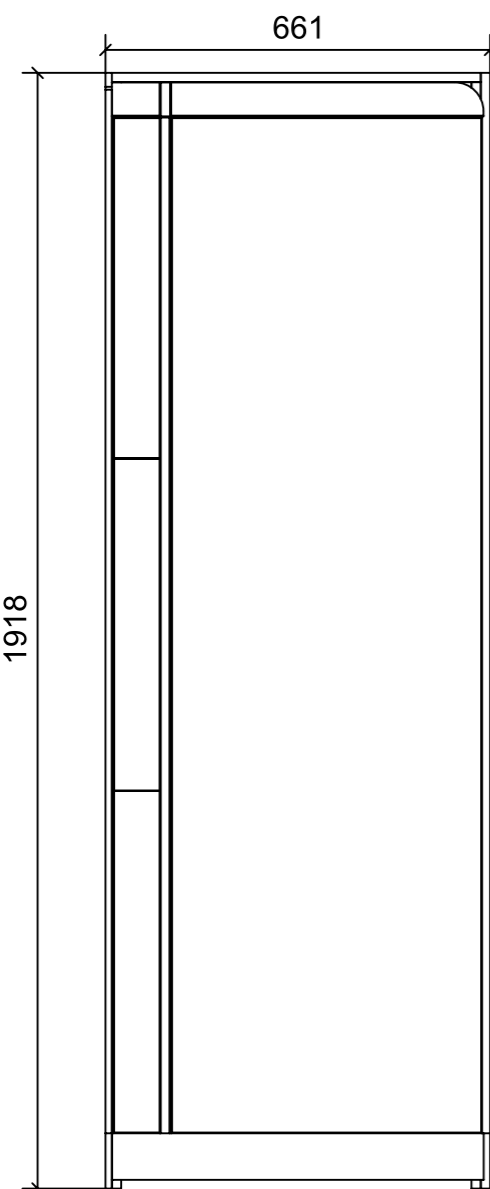
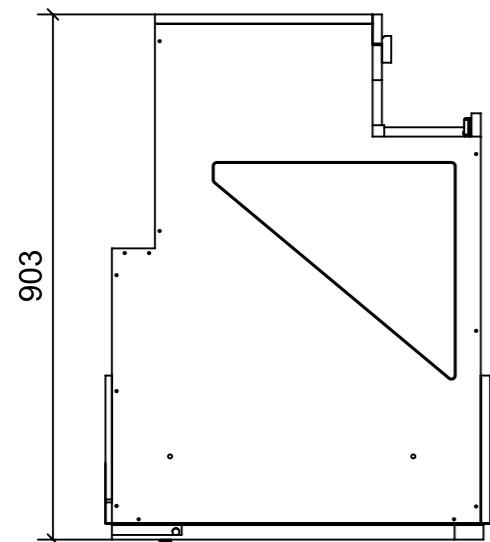
FERRAMENTA	QTY
VITE 6MA X 25 TESTA BOMBATA NERA BHCS 10.9 ISO 7380	8
CALAMITA SEALED MAGNETIC_TECNOPARTNER_MC-JM50-BL	1
GUIDA DYNAPRO SOFTCLOSE L300 R_FBC_F130107796 4D	1
GUIDA DYNAPRO SOFTCLOSE L300 L_FBC_F130107796 4D	1
PLACCHETTA COUNTER STEEL_TECNOPARTNER_MC-JM49	1
BUSSOLA 6MA X 10 FORO DIAM.8	6
GUIDA DYNAPRO ADJUSTMENT ADAPTER L_FBC_F134141746 4D	1
GUIDA DYNAPRO FRONT LOCKING DEVICE L_FBC_F134108955 4D	1
GUIDA DYNAPRO ADJUSTMENT ADAPTER R_FBC_F134141746 4D	1
GUIDA DYNAPRO FRONT LOCKING DEVICE R_FBC_F134108955 4D	1

LOCALE	CODICE	DESCRIZIONE COMPONENTE	FINITURA	GR.
CABINA VIP	MD320_MF_VH01	CORNICE TV		4



FERRAMENTA	QTY
FITLOCK F_MASCHERPA_6020101102	12
BUSSOLA 6MA X 10 FORO DIAM.8	16
FITLOCK M_MASCHERPA_3MM_6020202101	12

LOCALE	CODICE	DESCRIZIONE COMPONENTE	FINITURA	GR.
CABINA VIP DX	MD320_MF_VI01	ARMADIO		4



FERRAMENTA	QTY
KEEPER PUSH TO CLOSE_SOUTCHO-J-M1-519-4_TECHNOPARTNER	1
GUIDA DYNAPRO SOFTCLOSE L300 R_ASSM	1
KIT LED PER ARMADIO MD320 VI01-VVI01 MM 600_	1
GUIDA DYNAPRO SOFTCLOSE L300 L_ASSM	1
VITE 6MA X 25 TESTA BOMBATA NERA BHCS 10.9 ISO 7380	12
PUSH TO CLOSE_SOUTHCO-MP-05-312-55 NERA_TECHNOPARTNER	1
COPERTURA BRACCIO CERNIERA NERO-HAFELE_342.94.602-BLUM_70.1503.STP	4
BASE_0-NERA_HAFELE_342.22.065-BLUM_175H3100.STP	4
CERNIERA 94°_PIANA-NERA_HAFELE_342.46.604-BLUM_71B9550.STP	4
VITE 4MAX8 ANKOR BORGHI X BASE 0	8
CHIUSURA A SPINTA_TECHNOPARTNER_SOU C3-203	8
ALZAPAGLIOLI_FORESTI_164.B BRUNITON	1
VITE 4MA X 12 TESTA SVASATA ESAGONALE NERA_FBC	2
PERNO LISCIO PER SPALLA_FBC BORGHI_1033PXX050531	24
GIUNTO REGGIRIPIANO CON BORDO ANTISGANCIO_FBC BORGHI_1033XXB060902	24
BUSSOLA 6MA X 10 FORO DIAM.8	12
BUSSOLA 5MA ANKOR BORGHI X CERNIERA PIANA	16
MAGNETE FORZA MAGNETICA1-5 10KG_HAFELE_246.87.112	5